



## ArtS Design

*ArtS Design d.o.o.*

## Wobleri

[Nazovite radi cene](#)



## Shelf-Edge POS Wobblers



## Features at a glance

**Highly durable.** Our wobblers are printed on 400gsm board and gloss laminated to give sturdiness and the most vibrant colours possible. We have a range of standard sizes but we can cut them to any size you require at no extra charge.

**Supplied with acetate struts.** Wobblers are supplied with clear plastic struts (shown in the photograph above) or you can choose spring twistlers or metal strips at extra cost.

**Sizes other than standard sizes.** We price our wobblers according to six standard sizes, but we will cut them to specific-sized rectangles free of charge. Simply price as the next size up – for example, if you need a 60 x 75mm wobbler, please refer to the 75 x 75mm table.



**Custom shaped wobblers.** If you need a custom shaped shelf-edge wobbler, the following extra charges apply:

- On your first order we manufacture a cutting forme for a one-off cost starting at just £60.00. This charge only applies to your first order, as we keep your forme for future orders.
- Each order is subject to a setup charge of £45.00. This covers the work of loading the forme onto our die-cutting equipment and checking its registration (alignment) is correct.
- Lastly, a running cost of £30.00 per 1,000 wobblers applies.

This combination of charges means larger orders of custom-shaped wobblers are much more cost-effective. Please feel free to contact us on **Freephone Design Advice Line 0800 077 6467** to explore the cost of ordering different quantities.

## Pricing illustrations



Please remember that our prices are **fully inclusive** of professional advice to help you prepare your file for printing, pre-press checks, PDF proofs and printing. The only charges to add are for delivery and [VAT, where applicable](#). **We never add 'hidden extras' and we stand by that principle 100%.**

### Shelf-edge wobblers, 75 x 75mm (or smaller rectangles)

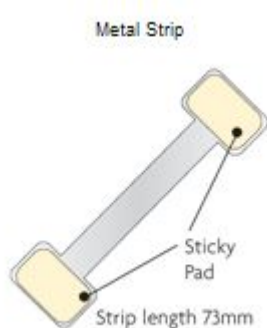
- 250 = £71.14
- 500 = £112.88
- 1,250 = £239.54
- 2,500 = £421.14
- 5,000 = £770.83

## Shelf-edge wobblers, 200 x 100mm (or smaller rectangles)

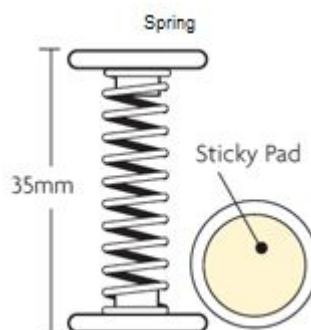
- 250 = £125.12
- 500 = £172.04
- 1,250 = £297.34
- 2,500 = £500.77
- 5,000 = £868.71

**Alternative fixings** Our wobblers are supplied with loose 150mm acetate strips as standard. We can supply alternative fixings as shown below.

We can also supply wobblers with the fixings ready-attached at extra cost. Please note this will extend the turnaround time considerably as the fixings are attached by hand. Please [contact us](#) if you are interested in knowing more about this service.



For a **metal strip fixing**  
please add 3.5p per  
wobbler



For a **spring fixing**  
please add 8p per wobbler

**Turnaround time** Quantities of shelf-edge wobblers up to 30,000 are despatched within 7 days. For larger quantities, please [contact us](#) for a delivery estimate.

**VAT guidance** Shelf-edge POS wobblers are standard rated for VAT.

Samples

You have 0 sample(s) in your basket | [View samples basket](#)

You can request free samples by adding them to your Samples Basket below, or by contacting us on **Freephone 0800 077 6467**.

Add free sample of [shelf-edge POS wobblers](#)

**Please note:** we only deliver samples to the United Kingdom. | Nous livrons seulement des échantillons au Royaume-Uni. | Sólo entregar las muestras al Reino Unido. | Wir liefern nur Proben auf das Vereinigte Königreich. | Abbiamo solo consegnare campioni al Regno Unito. | My pouze dodat vzorky naSpojené

Království. | My tylko dostarczamy próbki do Zjednoczonego Królestwa. | Vi kan bara leverera prover till  
Storbritannien. | ?????? ????? ?? ????????? ?????????? ??? ????????? ??????????. | ?? ?????? ??????????  
???????? ? ????????????? ?????????????.

## Design template



Right-click the link below and select 'Save Target As' or 'Save As' to download the template to your computer.  
All of our templates are in PDF format, so you will need suitable software to import and use them.

- [Download template for 75 x 50mm shelf-edge POS wobblers](#)
- [Download template for 75 x 75mm shelf-edge POS wobblers](#)
- [Download template for 125 x 100mm shelf-edge POS wobblers](#)
- [Download template for 150 x 150mm shelf-edge POS wobblers](#)
- [Download template for 200 x 100mm shelf-edge POS wobblers](#)
- [Download template for 200 x 150mm shelf-edge POS wobblers](#)

[Informacije o dobavljaču](#)